

TEAC

SERVICE MANUAL

CD-X8/MC-DX20

MICRO Hi-Fi SYSTEM



NOTES

- PC board shown are viewed from parts side.
- The parts with no reference number or no parts number in the exploded views are not supplied.
- As regards the resistors and capacitors, refer to the circuit diagrams contained in this manual.
- ⚠ Parts marked with this sign are safety critical components. they must be replaced with identical components - refer to the appropriate parts list and ensure exact replacement.
- Parts of [] mark can be used only with the version designated.
[T/C]: USA/CANADA - CD-X8/MC-DX20B
[EX/M]: S. AMERICA - MC-DX20S

CONTENTS

1 SAFETY INFORMATION	2
2 SPECIFICATIONS	3
3 ADJUSTMENT AND CHECKS	4
4 EXPLODED VIEW AND PARTS LIST	6
5 PC BOARDS AND PARTS LISTS	11
6 WIRING DIAGRAM	19
7 INCLUDED ACCESSORIES	21

CD-X8/MC-DX20

1 SAFETY INFORMATION

SAFETY INFORMATION

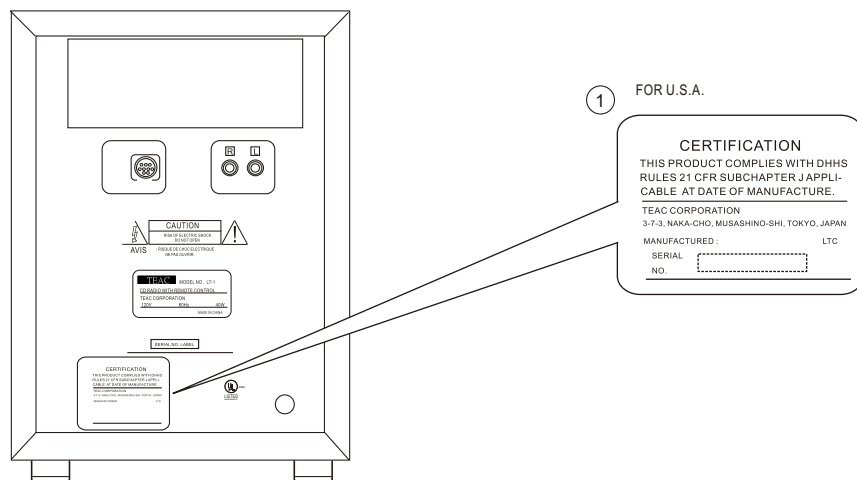
This product has been designed and manufactured according to FDA regulations " title 21, CFR, chapter 1, subchapter J, based on The Radiation Control for Health and Safety Act of 1968" and is classified as class 1 laser product. There is not hazardous invisible laser radiation during operation because invisible laser radiation emitted inside of this product is completely confined in the protective housings. The label required in this regulation is shown ①.

• CAUTION

USE OF CONTROLS OR ADJUSTMENT OR PERFORMANCE OF PROCEDURES OTHER THAN THOSE SPECIFIED HEREIN MAY RESULT IN HAZARDOUS RADIATION EXPOSURE.

DO NOT REMOVE THE PROTECTIVE HOUSING USING SCREWDRIVER.

IF THIS PRODUCT DEVELOPS TROUBLE, MAKE A CONTACT WITH OUR SERVICEMAN, AND DO NOT USE THE PRODUCT A TROUBLED STATE.



Optical pickup:

Type : CMS-M95BG6

Manufacturer : Samsung Electro-Mechanic

Laser output : Less than 0.5 mW on the objective lens

Wavelength : 760 -800 nm

2 SPECIFICATIONS

Amplifier Section

Output Power (L+R)	5W + 5W
Output Power Subwoofer:	15 W
Input Sensitivity	300mV
Frequency Response :	50 to 20,000 Hz

Tuner Section (FM)

Frequency Range	87.5 MHz to 108.0 MHz
Sensitivity (S/N30dB)	20dBuV/m

Tuner Section (AM)

Frequency Range	520 to 1710 kHz
Sensitivity (S/N20dB)	54dBuV/m

CD Player Section

Frequency Responce	20 to 20,000 Hz (+/-1dB)
Signa-to-Noise Ratio	55 dB
Wow and Flutter	Unmeasurable

SPEAKER SYSTEM Section

L & R speaker :	
Type :	Full range flat type
Impedance :	4 ohms
Subwoofer:	
Impedance :	8 ohms

GENERAL

Power Requirements:	120V AC, 60Hz - (USA/Canada model) 120/230V, AC,50-60 Hz (General export model)
---------------------	--

Power Consumption:	80 W
--------------------	------

Dimension (W x H x D):	Main Unit 160 x 226 x 86 mm
	L & R Speaker 140 x 226 x 61mm
	Subwoofer 160 x 234 x 330mm

Weight: (net)	Main Unit 0.96 kg
	L & R Speaker 0.6 kg(each)
	Subwoofer 5.3 kg

Standard Accessories:	Remote Control Unit (RC-962) x 1
	Subwoofer Cable x 1
	Speaker Cable x 2
	FM Antenna x 1
	AM Antenna x 1
	Battery for Remote Control x 1
	Wall Mount Adaptor x 3
	Wall Mount screw x 10
	Tape Plastic Wall Anchor x 10
	Template for Wall Mounting x 1
	Owner s Manual x 1
	Warranty Card x 1

- Design and specifications are subject to change without notice.
- Illustrations may differ slightly from production models.
- Weight and dimensions are approximate.

CD-X8/MC-DX20

3 ADJUSTMENTS AND CHECKS

3-1 TUNER SECTION

- Use a screwdriver with a plastic or ceramic grip for all adjustment.

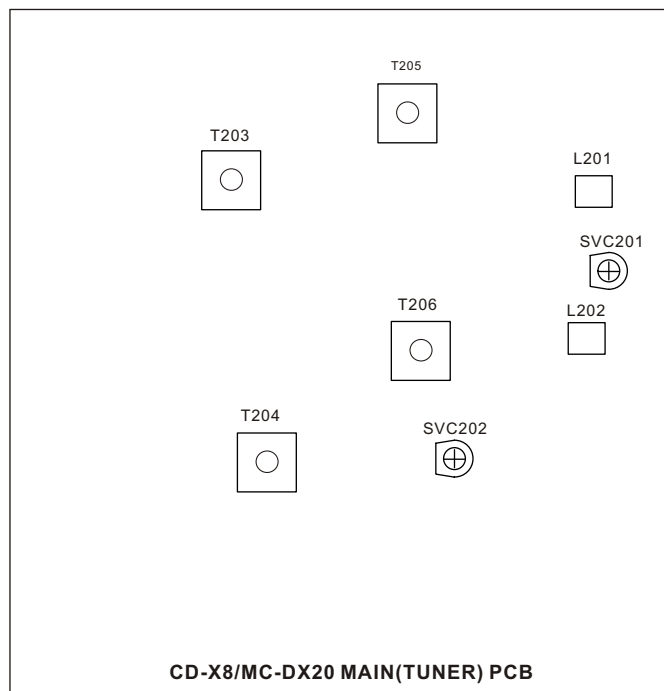
3-1-1 FM adjustment

1. Set the function switch to the FM position.
2. Connect the signal generator output through a 75 ohm dummy antenna to "ANT" on MAIN PCB.
3. Connect the oscilloscope to the speaker terminal.
4. Set the signal generator as listed in the alignment chart.

3-1-2 AM adjustment

1. Set the function switch to the AM position.
2. Connect the test loop antenna across the output of the signal generator.
3. Connect the oscilloscope to the speaker terminal.
4. Set the signal generator as listed in the alignment chart.

3-2 Adjustment and Test Points



3-2-1 FM/AM alignment chart

ITEM	SG SETTING	TUNER SETTING	ADJUSTMENT POINT	ADJUSTMENT
FM				
1.IFT adjustment	10.7 MHz 1kHz, +/-22.5kHz dev.	108MHz	T205	With 10.7 MHz at zero crossover
2. FM band	87.5MHz 1kHz, +/-22.5kHz dev.	87.5MHz	L202	Adjust for max. output and best waveform.
3. Tracking	90MHz 1kHz, +/-22.5kHz dev.	90MHz	L201	
	106MHz 1kHz, +/-22.5kHz dev.	106MHz	SVC201	
	Repeat step 3			
AM				
1. IF adjustment	455kHz 1kHz, 30% mod	1710kHz	T203	Center for max. output.
2. AM band	520kHz 1kHz, 30% mod	520kHz	T206	Adjust for max. output and best waveform.
3. Tracking	600kHz 1kHz, 30% mod	600kHz	AM ant coil (T204)	
	1400kHz 1kHz, 30% mod	1400kHz	SVC202	
	Repeat step 3			

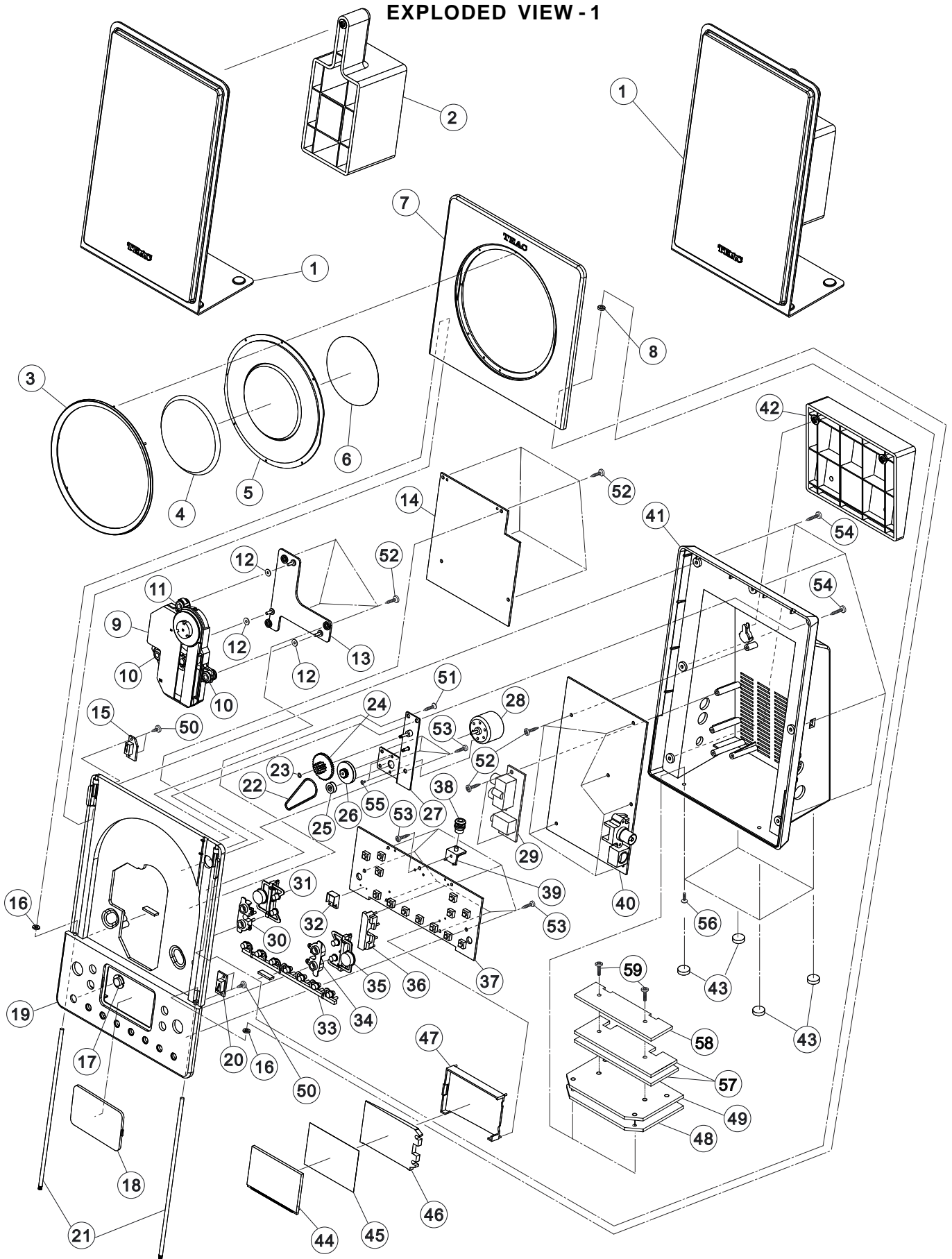
3-3 CD SECTION

Auto alignment.

CD-X8/MC-DX20

4 EXPLODED VIEWS AND PARTS LIST

EXPLODED VIEW - 1



CD-X8/MC-DX20

EXPLODED VIEW-1

REF. NO	PARTS NO.	DESCRIPTION	REMARKS
1-1	19-50DX01500001	SPEAKER BOX ASSY (CD-DX8)	
	19-50DX01500020	SPEAKER BOX ASSY (MC-DX20B) [T/C]	
	19-50DX01500030	SPEAKER BOX ASSY (MC-DX20S) [EX/M]	
1-2	56-07DX0155A000	FULL WALL PLATE-SPEAKER - (SILVER)	
	56-07DX0155B000	FULL WALL PLATE-SPEAKER - (BLACK)	
1-3	56-78DX0151G000	CD DOOR CHROME RING	
1-4	61-68DX01500020	CD ALUM COVE DIA 68MM	
1-5	56-57DX01510000	CD DOOR LENS	
1-6	57-08DX01500020	CD DOOR PVC PLATE	
1-7	56-14DX0150A010	CD DOOR - (CD-X8)	
	56-14DX0150B010	CD DOOR - (MC-DX20B) [T/C]	
	56-14DX0150A020	CD DOOR - (MC-DX20S) [EX/M]	
1-8	58-58DX01500620	RUBBER RING D5.4X3X1.5MM	
1-9	20-70CMSM95B00	CD MECH. (SAMSUNG) CMS-M95BG6	
1-10	58-61MC23500020	SHOCK ABSORBER (GREY) AC112-SI-20C	
1-11	58-61MC23500120	SHOCK ABSORBER- BLACK	
1-12	68-122301600400	FIBRE WASHER 3X6X0.4MM	
1-13	56-07DX01539000	CD BRACKET	
1-14	05-30DX01500000	CD(MP3) PCB ASSY (CD-X8)	
	05-30DX01510000	CD(MP3) PCB ASSY (MC-DX20)	
1-15	48-23DX0150022A	CLOSE SW PCB ASSY	
1-16	58-58DX01500420	RUBBER RING D5.4X3X1MM	
1-17	56-57DX01532000	REMOTE LENS	
1-18	56-57DX01540010	DISPLAY LENS	
1-19	56-04DX0150A010	FRONT CABINET - (CD-X8)	
	56-04DX0150B010	FRONT CABINET - (MC-DX20B) [T/C]	
	56-04DX0150A020	FRONT CABINET - (MC-DX20S) [EX/M]	
1-20	48-23DX01500220	OPEN SW PCB ASSY	
1-21	61-80DX01500020	FERRM SHAFT 155X3MM	
1-22	58-43DX01500020	DRIVE BELT DIA 31X1MM	
1-23	68-152402160300	PVC WASHER D4X1.6X0.3MM	
1-24	56-24DX01510000	STRAP GEAR	
1-25	56-760000000020	DOOR MOTOR PULLY	
1-26	56-24DX01500000	CD DOOR GEAR	
1-27	61-11DX01500320	MOTOR BRACKET	
1-28	58-44DX01500020	MOTOR 3V	
1-29	05-09DX01500000	HP/AUX JACK PCB ASSY	
1-30	56-57DX01559000	KNOB RING-L	
1-31	56-54DX0151A010	POWER KNOB-UNIT (SILVER)	
	56-54DX0151B010	POWER KNOB-UNIT (BLACK)	
1-32	56-07DX01569000	REMOTE BRACKET	
1-33	56-53DX0151A000	CD KNOB GROUP (SILVER)	
	56-53DX0151B000	CD KNOB GROUP (BLACK)	
1-34	56-57DX01569000	KNOB RING-R	
1-35	56-53DX0150A010	CD DOOR OPEN KNOB (SILVER)	
	56-53DX0150B010	CD DOOR OPEN KNOB (BLACK)	
1-36	56-22DX0151B000	LASER COVER	
1-37	05-05DX01500000	KEY/DISPLAY PCB ASSY	
1-38	58-61EX0M108120	SHOCK ABSORBER - GREY	
1-39	56-07DX01589000	RUBBER HOLDER	
1-40	05-01DX01500000	MAIN(TUNER) PCB ASSY	
1-41	56-05DX0150A020	REAR CABINET (SILVER)	
	56-05DX0150B010	REAR CABINET (BLACK)	

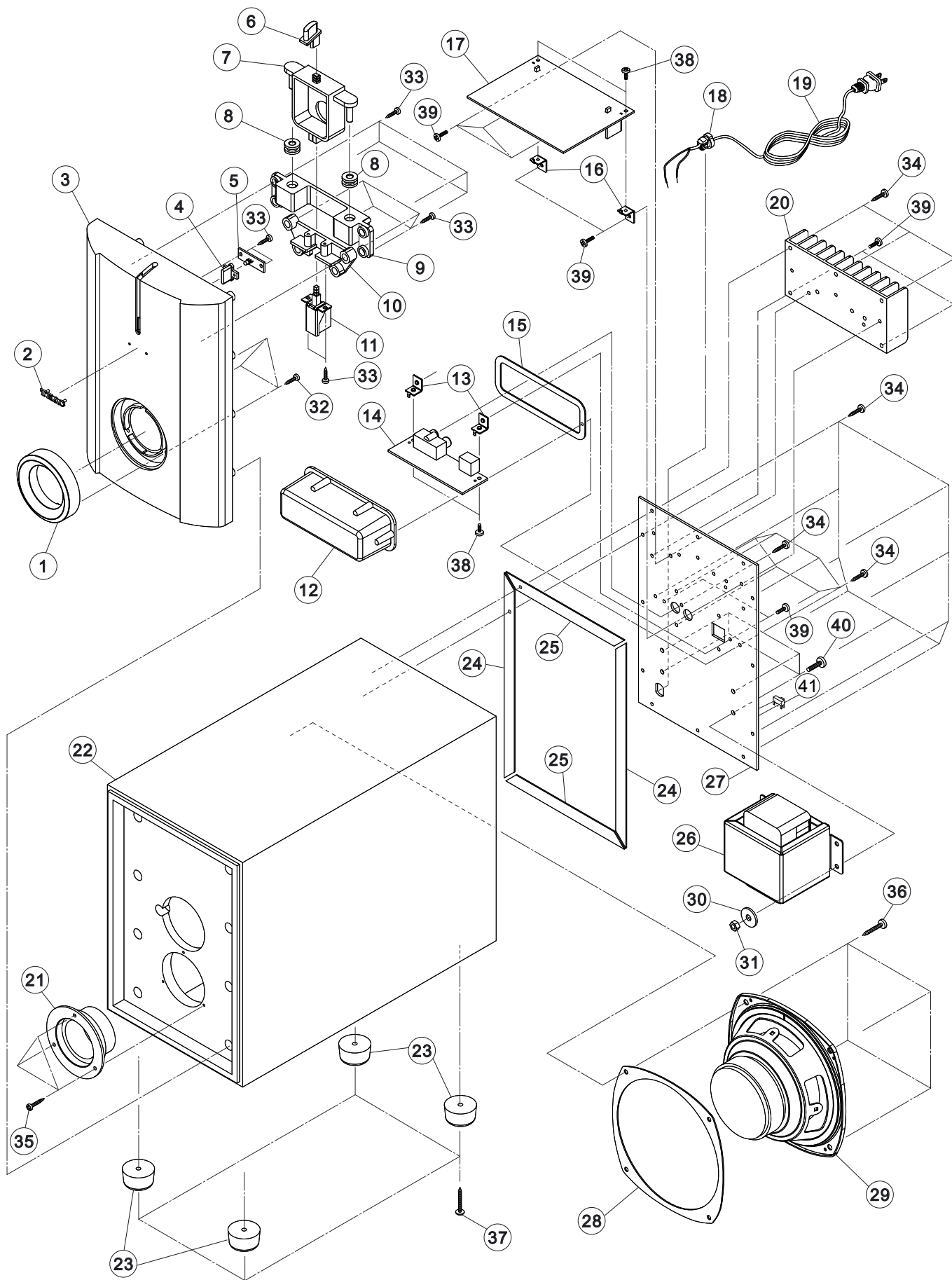
CD-X8/MC-DX20

EXPLODED VIEW-1

REF. NO	PARTS NO.	DESCRIPTION	REMARKS
1-42	56-07DX0154A000	FULL WALL PLATE - UNIT (SILVER)	
	56-07DX0154B000	FULL WALL PLATE - UNIT (BLACK)	
1-43	58-263102300520	RUBBER FOOT	
1-44	13-05DX01500020	LCD DISPLAY	
1-45	57-262392590020	FILTER SHEET	
1-46	56-57DX01520000	BACK LIGHT LENS-UNIT	
1-47	56-07DX01579000	DISPLAY BRACKET	
1-48	61-11DX01500121	FERRM PLATE - HOLE (LOWER SIDE)	
1-49	61-11DX01500021	FERRM PLATE - SCREW HOLE (UPPER SIDE)	
1-50	66-140220160321	SCREW TA/BH 2X6MM	
1-51	66-140526210321	SCREW TA/KH 2.6X10MM	
1-52	66-140226180321	SCREW TA/BH 2.6X8MM	
1-53	66-140226180321	SCREW TA/PH 2.6X8MM	
1-54	66-140226210321	SCREW TA/BH 2.6X10MM	
1-55	66-120320130321	SCREW MS/PH 2X3MM	
1-56	66-120526160321	SCREW MS/KH 2.6X6MM	
1-57	66-11DX01500420	FERRM PLATE (C) 33X108X2MM (LOWER SIDE)	
1-58	66-11DX01500520	FERRM PLATE (D) 27X108X2MM (UPPER SIDE)	
1-59	66-120226210321	SCREW MS/BH 2.6X10MM	

CD-X8/MC-DX20

EXPLODED VIEW 2



CD-X8/MC-DX20

EXPLODED VIEW-2

REF. NO	PARTS NO.	DESCRIPTION	REMARKS
2-1	56-78DX0150G000	CHROME RING-SUBWOOFER BOX	
2-2	56-58EX0M118000	BADGE LOGO (3M01241801A)	
	56-58EX0M500010	BADGE LOGO (M01241802A)	
2-3	56-85DX0150A010	SUBWOOFER PANEL - SILVER	
	56-85DX0150B010	SUBWOOFER PANEL - BLACK	
2-4	56-57DX01509000	LIGHT LENS-SUBWOOFER BOX	
2-5	48-16DX01500220	LED PCB	
2-6	56-54DX0150A000	POWER KNOB-SUBWOOFER BOX	
2-7	56-07DX01508000	BRACKET A-SUBWOOFER BOX	
2-8	58-58V820000020	WOOFER RUBBER	
2-9	56-07DX01518000	BRACKET B-SUBWOOFER BOX	
2-10	56-07DX01528000	BRACKET C-SUBWOOFER BOX	
2-11	41-193220000010	POWER SWITCH	
2-12	56-22DX01508000	PCB COVER	
2-13	61-11V820010020	PCB FIX BRACKET	
2-14	05-08DX01500000	RCA/D-S JACK PCB ASSY	
2-15	58-58DX01500320	CUSHION 106X40X1MM	
2-16	61-11V6000000020	PCB BRACKET	
2-17	05-07DX01500000	SUBWOOFER POWER PCB ASSY - [T/C]	
	05-07DX01500001	SUBWOOFER POWER PCB ASSY - [EX/M]	
2-18	43-500000002020	AC CORD BUSHING	
2-19	⚠ 45-114180310061	AC LINE CORD CULAPP	
2-20	61-48DX01500020	HEAT SINK - A	
2-21	56-87DX0150B010	PLASTIC TUBE	
2-22	58-73DX01500020	SUBWOOFER BOX - SILVER	
	58-73DX01500120	SUBWOOFER BOX - BLACK	
2-23	58-263253150020	RUBBER FOOT	
2-24	58-58DX01500120	CUSHION - LONG	
2-25	58-58DX01500220	CUSHION - SHORT	
2-26	⚠ 18-203DX0150120	TRANSFORMER E166 120V [T/C]	
	⚠ 18-208DX0150120	TRANSFORMER E166 120/230V [EX/M]	
2-27	61-33DX01500021	SUBWOOFER REAR PANEL (CD-X8)	
	61-33DX01500520	SUBWOOFER REAR PANEL (MC-DX20B) [T/C]	
	61-33DX01500320	SUBWOOFER REAR PANEL (MC-DX20S) [EX/M]	
2-28	58-58DX01500520	CUSHION SPEAKER	
2-29	19-033153300120	SUBWOOFER 5.25 -INCHES 30W	
2-30	68-112403101000	METAL WASHER 4X10X1MM	
2-31	67-021400000020	NUT M4MM	
2-32	66-140226210321	SCREW TA/BH 2.6X10MM	
2-33	66-140230210321	SCREW TA/BH 3X10MM	
2-34	66-140230212321	SCREW TA/BH 3X12MM	
2-35	66-140230212321	SCREW TA/BH 3X12MM	
2-36	66-141136216121	SCREW TA/PH 3.6X16MM	
2-37	66-141430220121	SCREW TA/BWH 3X20MM	
2-38	66-120230160121	SCREW MS/BH 3X6MM	
2-39	66-150230180123	HARDEN SCREW BT/TB 3X8MM	
2-40	66-120240212121	SCREW MS/BH 4X12MM	
2-41	41-171512000010	VOLTAGE SELECTOR SL-15-12AJC31A	

CD-X8/MC-DX20

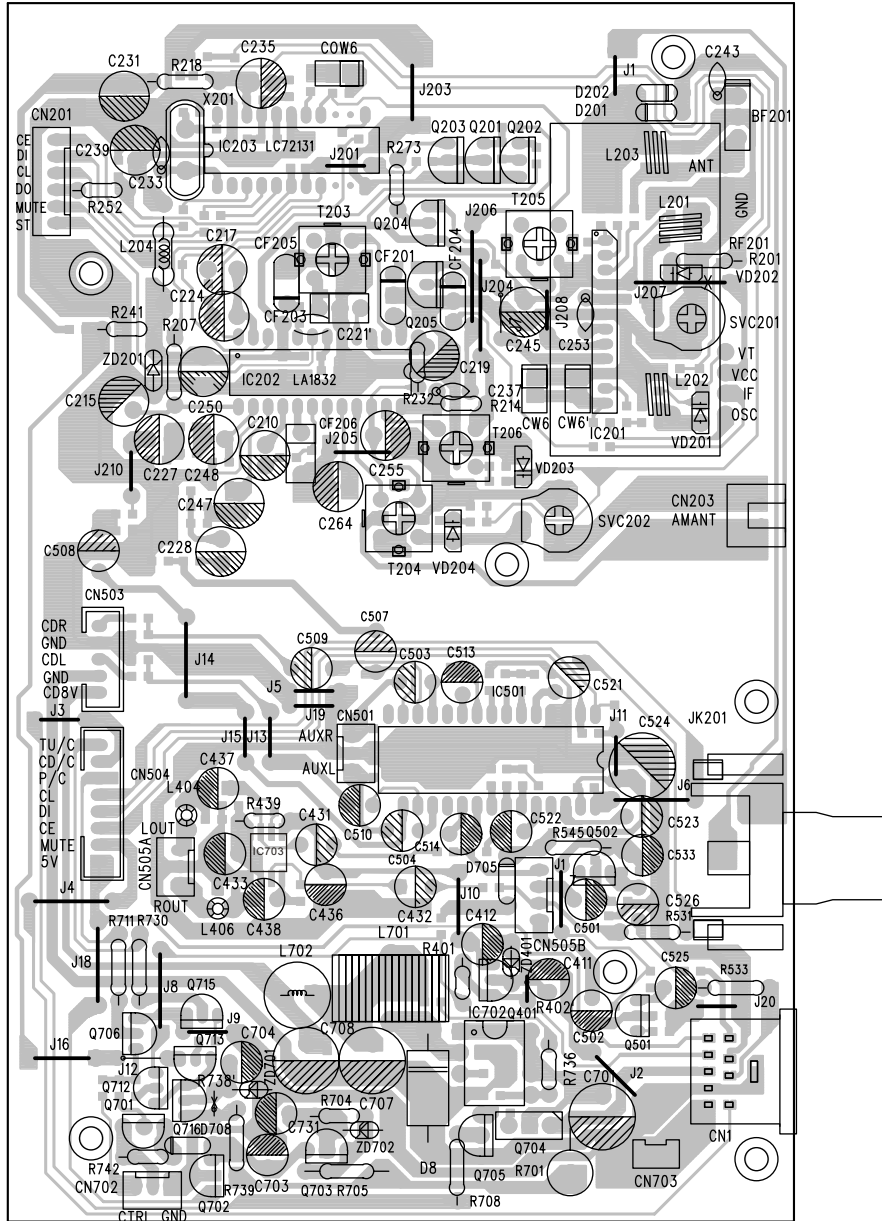
5 PC BOARDS AND PARTS LIST

MAIN (TUNER)PCB ASSY

REF. NO	PARTS NO.	DESCRIPTION	REMARKS
	05-01DX01500000	MAIN(TUNER) PCB ASSY	
	48-01DX01500221	MAIN(TUNER) PCB	
CF201	31-028107000120	FILTER LT10.7MA5	
CF203	31-026450010110	FILTER SFU450B	
CF205	31-038107020110	FILTER CDA10.7MG46-A	
CF206	31-046456000220	RESONATOR ZTB456F15	
CN201	43-012200160120	WAFER 2MM 6PIN	
CN203	43-022250120120	WAFER 2.5MM 2PIN	
CN501,505A,702	43-012200130120	WAFER 2MM 3 PIN	
CN1	43-462103003120	D-S TERMINAL #DSW-07	
CN505B	43-012200140120	WAFER 2MM 4 PIN	
CN503	43-012200150120	WAFER 2MM 5 PIN	
CN504	43-012200180120	WAFER 2MM 8 PIN	
D8	12-1N5822000021	RECTIFIER DIODE 1N5822	
D201,202,705	12-1N4148000021	DIODE 1N4148	
D708	12-1N4001000021	DIODE 1N4001	
IC201	16-TA8176SN0021	IC - TA8176SN	
IC202	16-LA1832000021	IC - LA1832	
IC203	16-LC7213100021	IC - LC72131	
IC501	16-LC7534200021	IC - LC75342	
IC702	16-MC34063A0021	IC - MC34063A	
IC703	16-SC1308000021	IC - SC1308-01	
L201,203	40-351500135020	FM COIL 5X3.5TX0.8MM	
L202	40-351500125020	FM COIL 5X2.5TX0.8MM	
L204	38-014100050020	AXIAL INDUCTOR 100UH	
L404,406	38-013100050220	AXIAL INDUCTOR 10UH	
L701	38-104230050020	CHOKO COIL 230UH	
L702	38-103200050020	CHOKO COIL 20UH	
Q201-203,501,502,11-9014C0000021		TR - 9014C	
Q705,706,715			
Q204,701	11-9015C0000021	TR - 9015C	
Q401,703,716	11-8050C0000021	TR - 8050C	
Q702	16-LM78L05A0021	IC - LM78L05A	
Q704	11-KSB772YS0021	TR - KSB772SY	
Q712,713	11-8550C0000021	TR - 8550C	
SVC201,202	27-501802201020	TRIMMER 20PF	
T203	40-02A049004020	IFT 7MM A049 - YELLOW	
T204	40-023120000020	IFT 7MM 312A - BLACK	
T205	40-027400003120	IFT 7MM 740 - ORANGE	
T206	40-02660R002020	IFT 7MM 660R - RED	
VD201,202	12-1SV101000021	VARICAP DIODE 1SV-101	
VD203,204	12-1SVC14900021	VARICAP DIODE 1SV-149	
ZD201	12-011560320121	ZENER DIODE 5.6W	
X201	31-017450002010	CRYSTAL 4.5 MHZ	
ZD401	12-011470320121	ZENER DIODE 4.7V	
ZD701	12-012110320121	ZENER DIODE 11V	
ZD702	12-011910320121	ZENER DIODE 9.1V	

CD-X8/MC-DX20

MAIN(TUNER) PCB





CD-X8/MC-DX20

CD(MP3) PCB ASSY - TOP

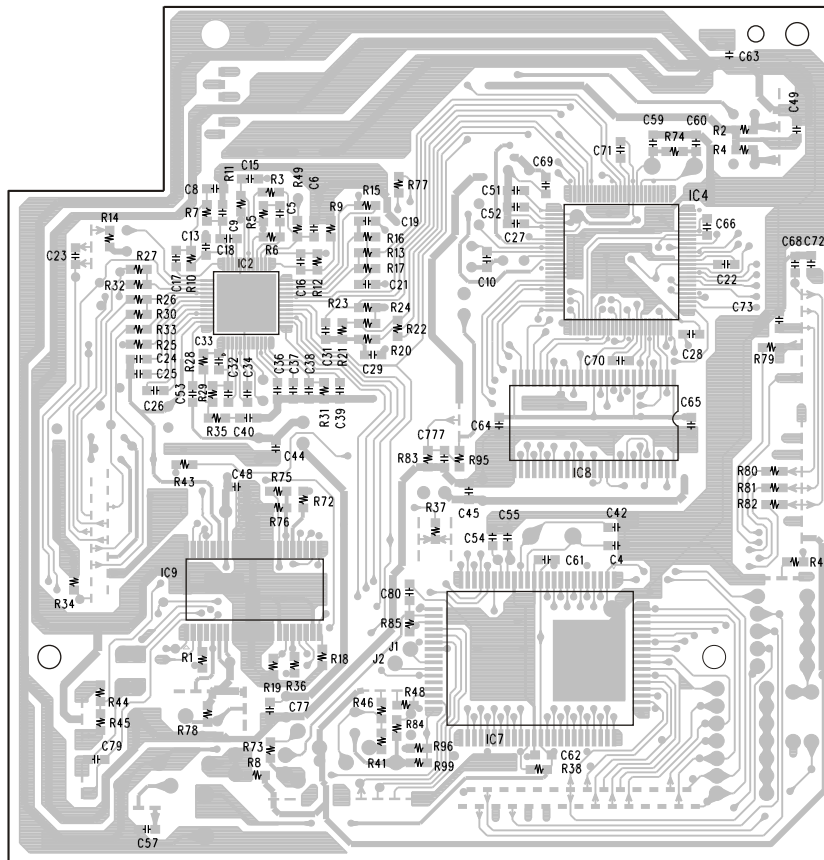
REF. NO	PARTS NO.	DESCRIPTION	REMARKS
	05-30DX01500010	CD(MP3) PCB ASSY (CD-X8)	
	05-30DX01510000	CD(MP3) PCB ASSY (MC-DX20)	
	48-30DX01501321	CD(MP3) PCB (CD-X8)	
	48-30DX01500321	CD(MP3) PCB (MC-DX20)	
IC2	16-S1L9226X0021	IC - S1L9226X01	
IC4	16-S5L927900021	IC - S5L9279X01	
IC7	16-S3P825A00421	IC - S3P825A (CD-X8)	
	16-S3P825A00221	IC - S39825AXZZ (MC-DX20)	
IC8	16-M12L16160021	IC - SDRAM16M (MC-DX20)	
IC9	16-KA9259D00021	IC - KA9259D	

CD(MP3) PCB ASSY - BOTTOM

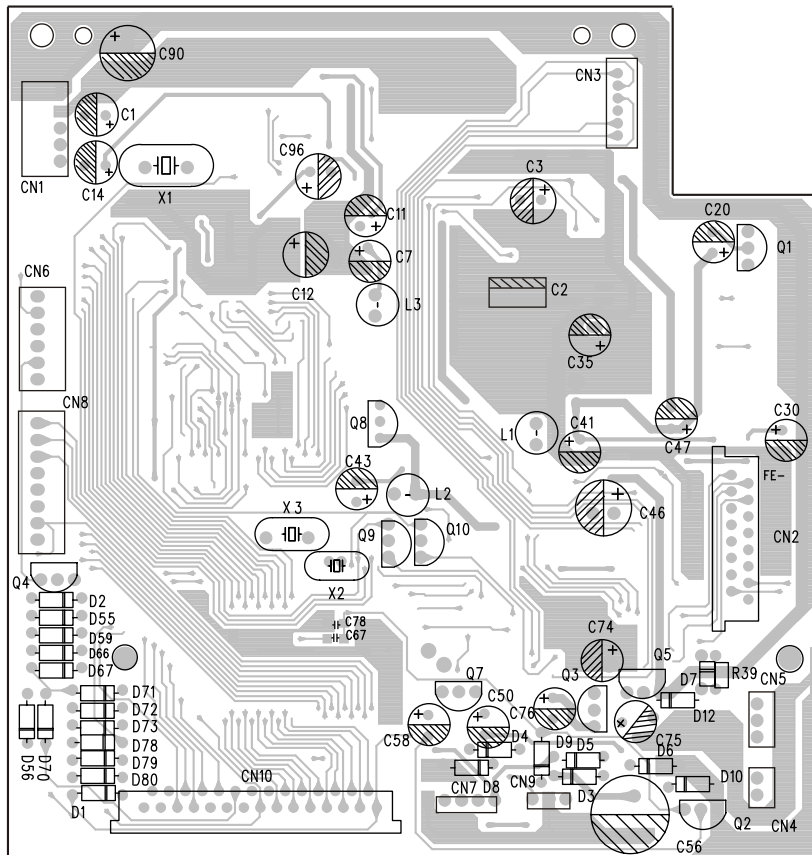
REF. NO	PARTS NO.	DESCRIPTION	REMARKS
CN2	43-022100216020	F.F.C WAFER 1MM 16 PIN	
CN3	43-012150160320	WAFER 1.5MM 6 PIN	
CN4	43-022200120120	WAFER 2MM 2 PIN	
CN5,9	43-022200130120	WAFER 2MM 3 PIN	
C56	 26-017220650121	E.CAP 2200UF/10V	
D1-5,9,10,55,56, D66,67,71-73,80	12-1N4148000021	DIODE 1N4148	
D59,70	12-1N4148000021	DIODE 1N4148 (CD-X8)	
D6,8,12	12-011390320121	ZENER DIODE 3.9V	
D7	 12-1N5819000021	RECTIFIER DIODE 1N5819	
L1,2,3	38-013100050020	AXIAL INDUCTOR 10UH	
Q1,7,9,10	11-9015C0000021	TR - 9015C	
Q2,3,4,8	11-9014C0000021	TR - 9014C	
Q5	11-8550C0000021	TR - 8550C	
X1	31-018169302220	CRYSTAL 16.9344MHZ.	
X2	31-015320003310	CRYSTAL 32.768KHZ	
X3	31-017800002120	CRYSTAL 8.000MHZ	

CD-X8/MC-DX20

CD(MP3) PCB - TOP



CD(MP3) PCB - BOTTOM



CD-X8/MC-DX20

SUBWOOFER POWER PCB ASSY

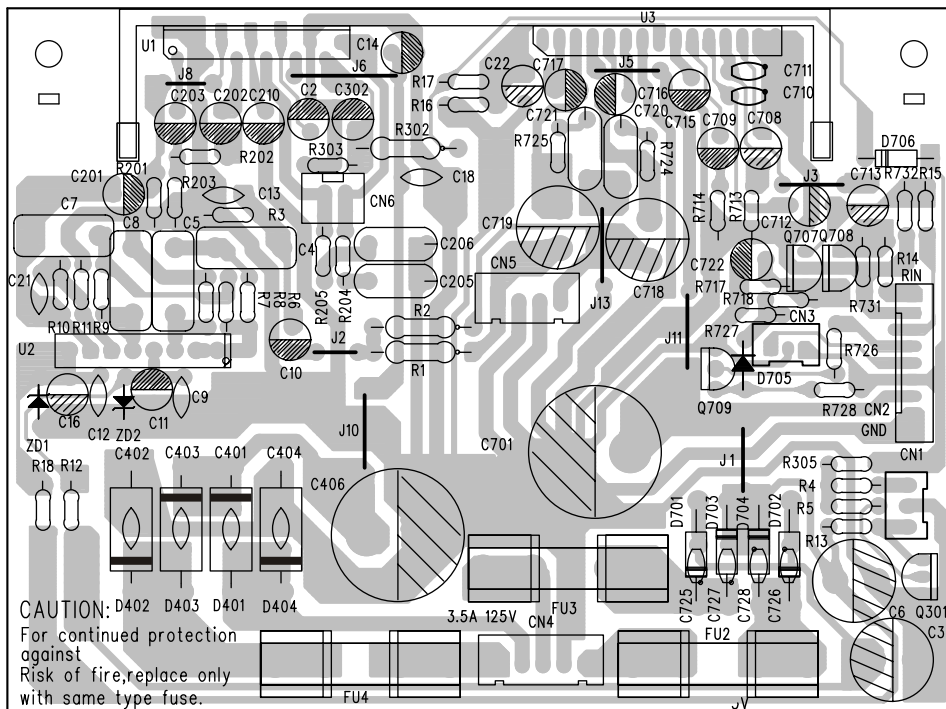
REF. NO	PARTS NO.	DESCRIPTION	REMARKS
	05-07DX01500000	SUBWOOFER POWER PCB ASSY (CD-X8) (MC-DX20B) [T/C]	
	05-07DX01500001	SUBWOOFER POWER PCB ASSY (MC-DX20S) [EX/M]	
	48-07DX01500121	SUBWOOFER POWER PCB	
CN1	43-012250130120	WAFER 2.5MM 3 PIN	
CN2	43-012200190120	WAFER 2MM 9 PIN	
CN4	43-012250150120	WAFER 2.5MM 5 PIN	
CN5	43-012250140120	WAFER 2.5MM 4 PIN	
CN6	43-012250120120	WAFER 2.5MM 2 PIN	
C406	⚠ 26-017470950111	E.CAP - 4700UF/35V	
C701	⚠ 26-017470850121	E.CAP - 4700UF/25V	
C718,719	⚠ 26-017100750121	E.CAP - 1000UF/16V	
D401-404	⚠ 12-1N5401000021	RECTIFIER DIODE 1N5401	
D701-704	⚠ 12-RL2020000021	RECTIFIER DIODE RL-202	
D705	12-1N4148000021	DIODE 1N4148	
D706	12-1N4001000021	RECTIFIER DIODE 1N4001	
FU2,3	⚠ 46-055350200010	GLASS FUSE 3.5A/125V (CD-X8) (MC-DX20B) [T/C]	
	⚠ 46-055350300010	GLASS FUSE 3.5A/250V (MC-DX20S) [EX/M]	
FU4	⚠ 46-055400200010	GLASS FUSE T4A/125V (CD-X8) (MC-DX20B) [T/C]	
	⚠ 46-055400300010	GLASS FUSE T4A/250V (MC-DX20S) [EX/M]	
Q301,709	11-9014C0000021	TR - 9014C	
Q707,708	11-2SD1936T0021	TR - 2SD1936T	
U1	16-TA8216H00021	IC - TA8216H	
U2	16-BA4558N00021	IC - BA4558N	
U3	16-BA5417000021	IC - BA5417	
ZD1,2	12-011910320121	ZENER DIODE 9.1V	

RCA/D-S JACK PCB ASSY

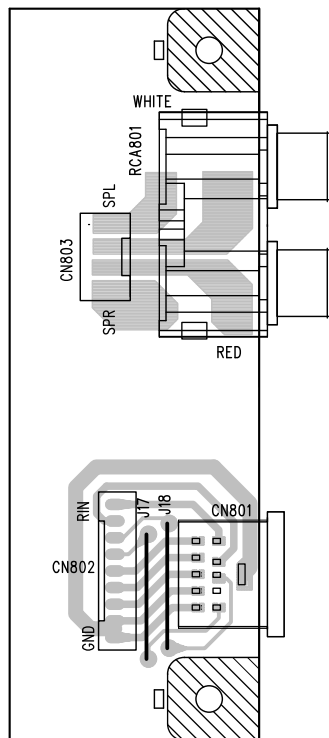
REF. NO	PARTS NO.	DESCRIPTION	REMARKS
	05-08DX01500000	RCA/D-S JACK PCB ASSY	
	48-08DX01500220	RCA/D-S PCB	
RCA801	43-451200006120	RCA JACK 2PIN	

CD-X8/MC-DX20

SUBWOOFER POWER PCB



RCA/D-S JACK PCB



CD-X8/MC-DX20

KEY / DISPLAY PCB ASSY

REF. NO	PARTS NO.	DESCRIPTION	REMARKS
	05-05DX01500000	KEY/DISPLAY PCB ASSY	
	48-05DX01500120	KEY/DISPLAY PCB	
LCD	13-05DX01500020	LCD DISPLAY SDH-M2112-TN-1	
LED1,3	13-011300022020	LED D3MM - WHITE	
LED2,4	13-011506022120	LED D5MM - BLUE	
Q707	11-9015C0000021	TR - 9015C	
REM	17-05FM60380011	OPTIC SENSER FM-6038TM2-5A	
SW1-13	41-150010030020	TACH SW 6x6mm 4 LEGS	

HP/AUX JACK PCB ASSY

REF. NO	PARTS NO.	DESCRIPTION	REMARKS
	05-09DX01500000	HP/AUX PCB ASSY	
	48-09DX01500120	HP/AUX PCB	
AUX	43-451200012020	RCA JACK 2PIN	
HEADPHONE	43-433160004020	PHONE JACK 3.5MM	
L401,402,403,405	38-013100050220	AXIAL INDUCTOR 10UH	

OPEN SW PCB ASSY

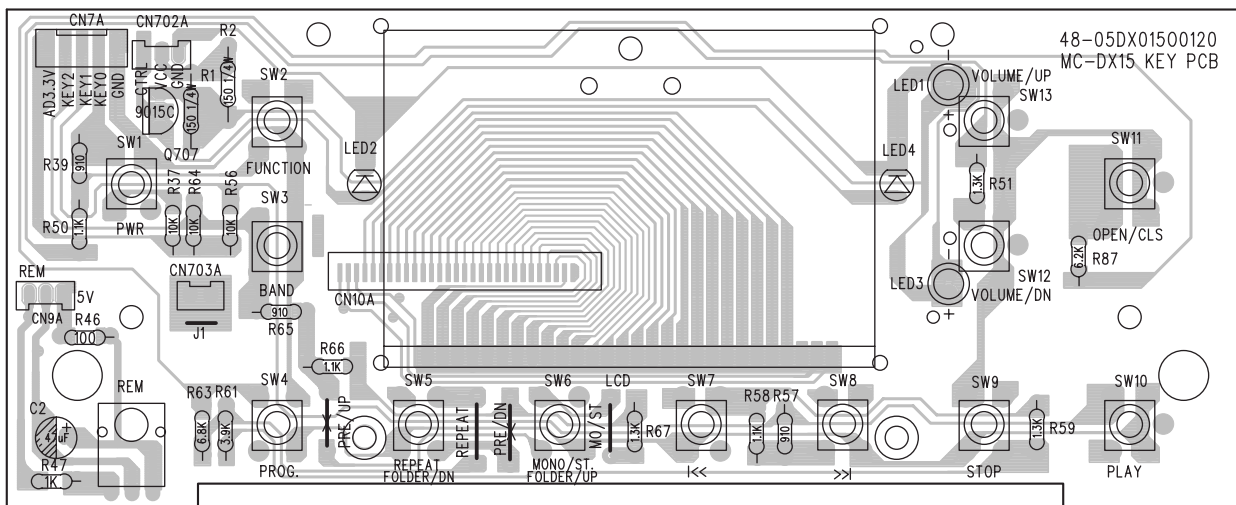
REF. NO	PARTS NO.	DESCRIPTION	REMARKS
	48-23DX01500220	OPEN SW PCB ASSY	
	41-071200000020	SERIES MICRO SWITCH SD-002	

CLOSE SW PCB ASSY

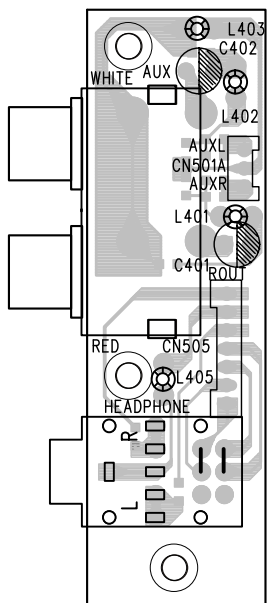
REF. NO	PARTS NO.	DESCRIPTION	REMARKS
	48-23DX0150022A	CLOSE SW PCB ASSY	
	41-071200000020	SERIES MICRO SWITCH SD-002	

CD-X8/MC-DX20

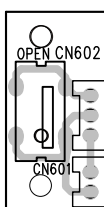
KEY/DISPLAY PCB



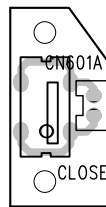
HP/AUX JACK PCB



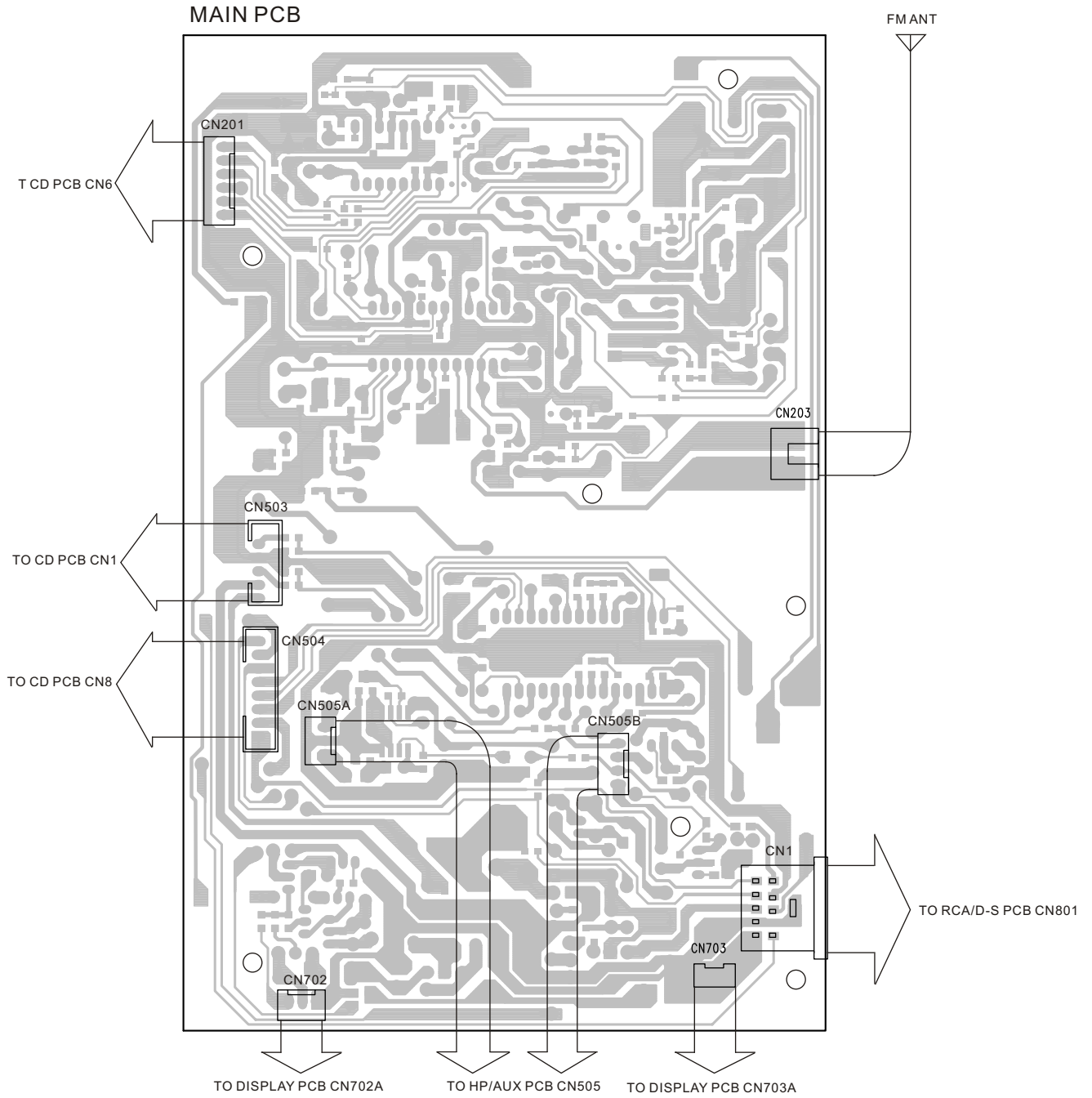
OPEN SW PCB



CLOSE SW PCB

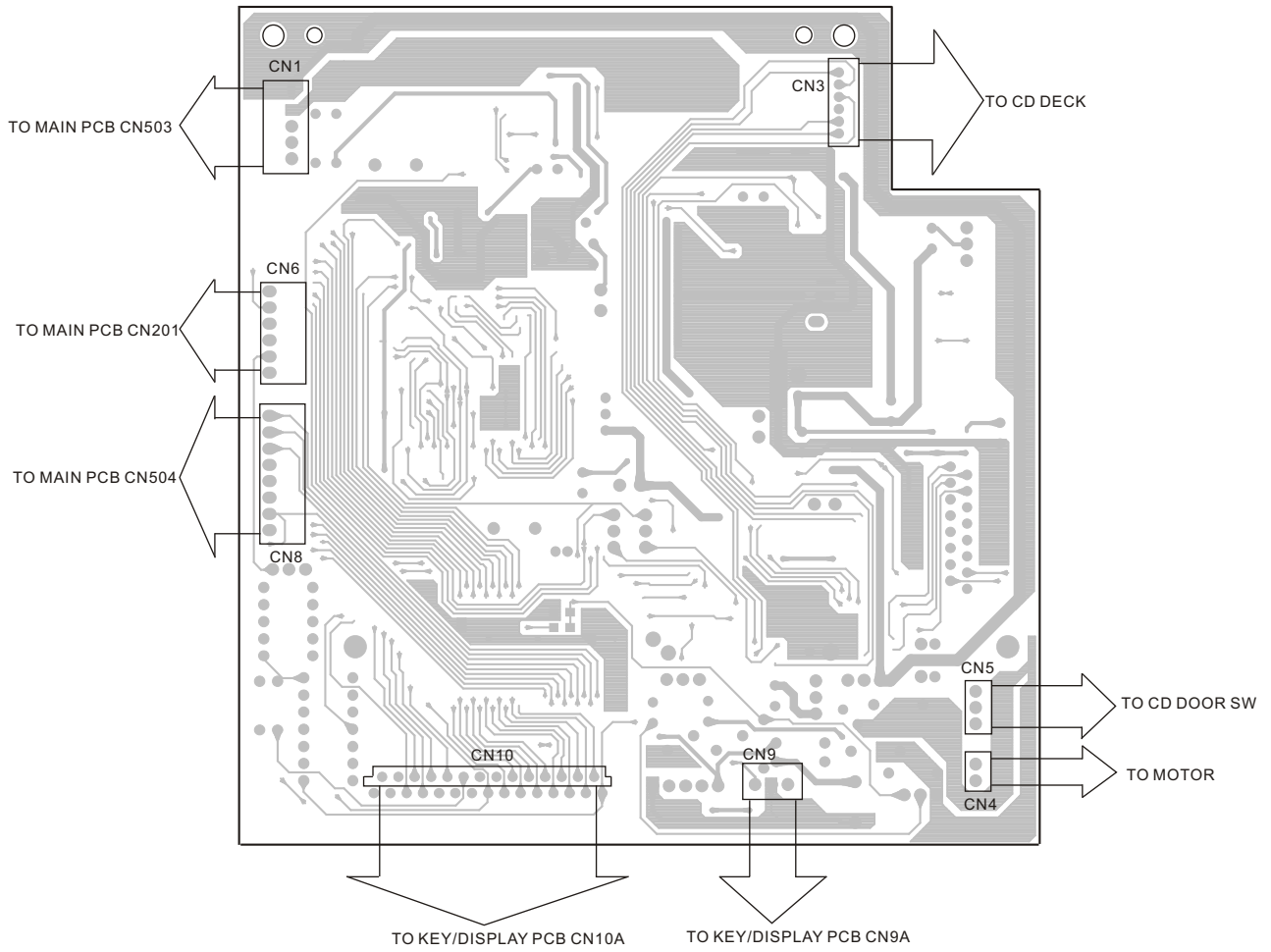


6 WIRING DIAGRAM

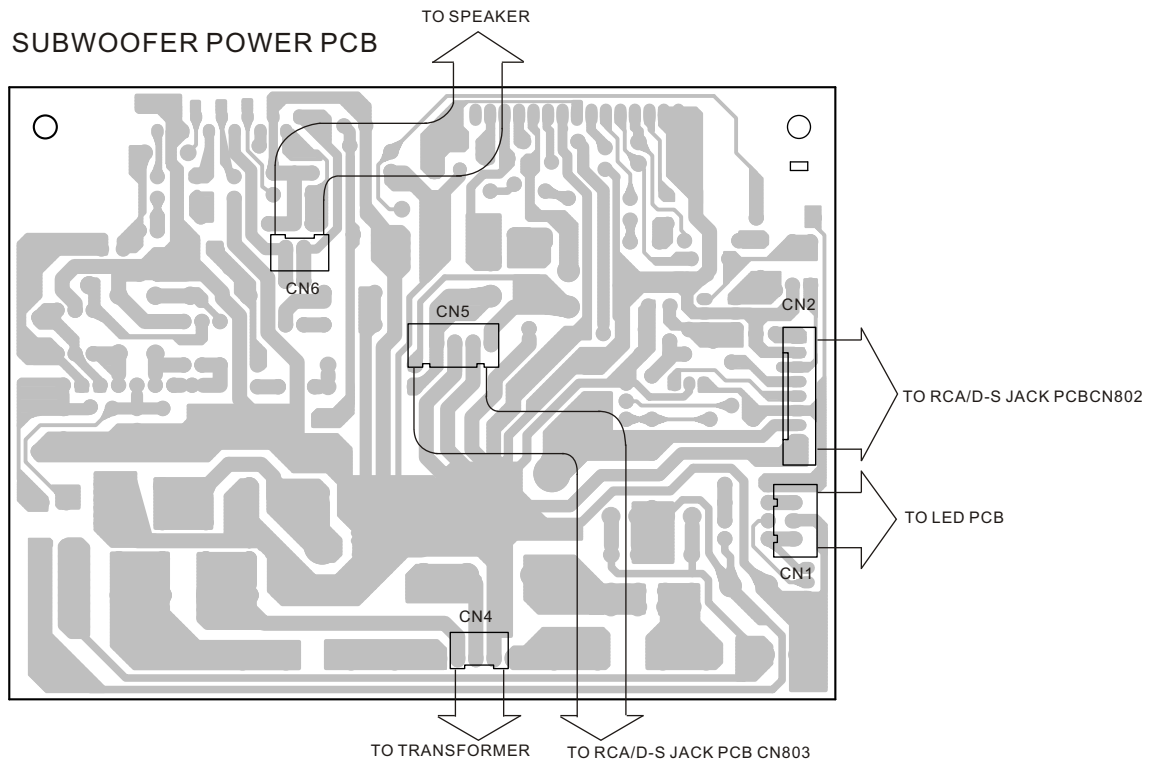


CD-X8/MC-DX20

CD(MP3) PCB - BOTTOM



SUBWOOFER POWER PCB



CD-X8/MC-DX20

7 INCLUDED ACCESSORIES

INCLUDED ACCESSORIES

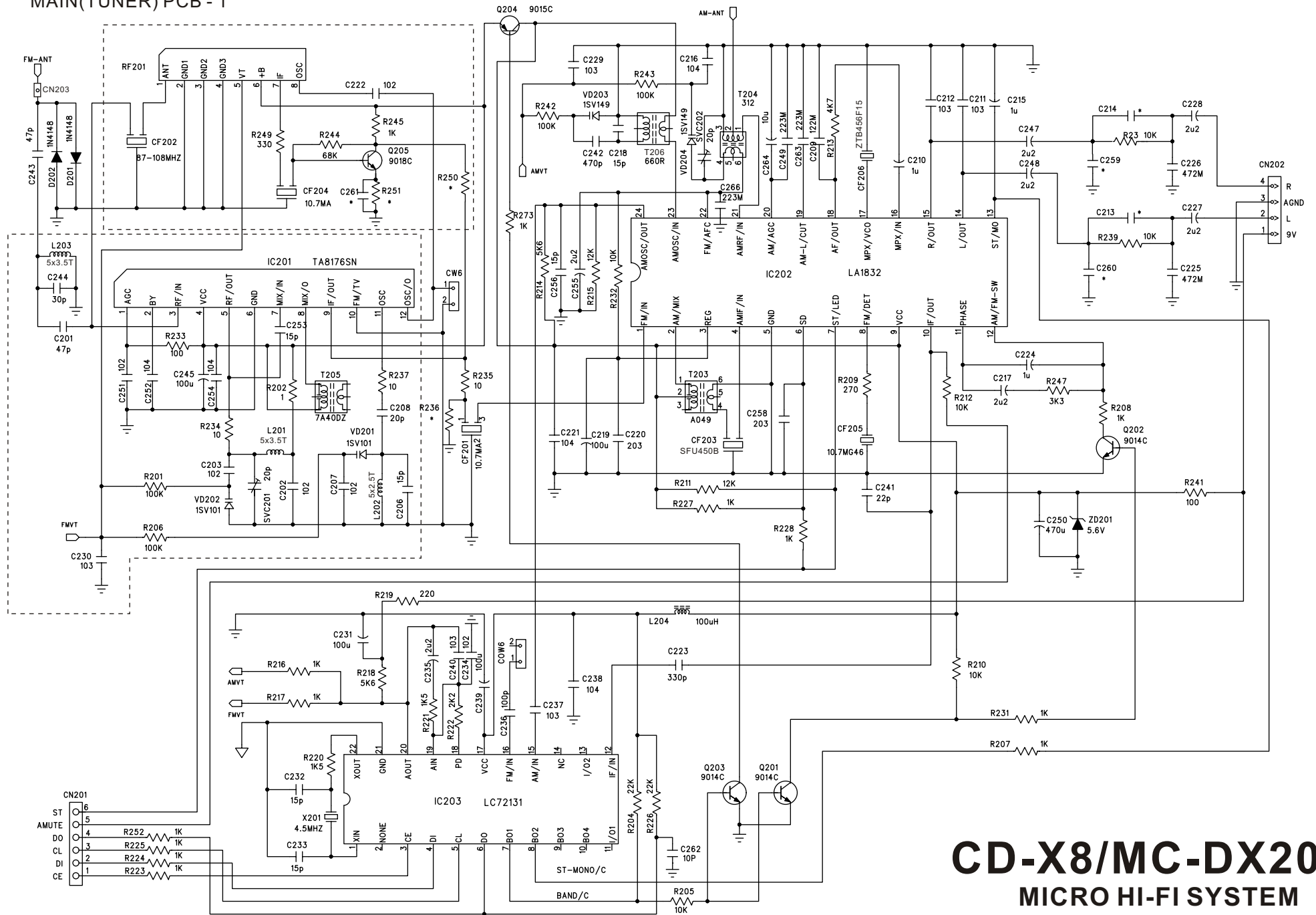
REF. NO	PARTS NO.	DESCRIPTION	REMARKS
	77-20DX01500022	INSTRUCTION BOOK - (CD-X8)	
	77-20DX01500220	INSTRUCTION BOOK - (MC-DX20B) [T/C]	
	77-20DX01500120	INSTRUCTION BOOK - (MC-DX20S) [EX/M]	
	45-194150000020	FM ANT 1.5M	
	02-32DX01500000	AM LOOP ANT ASSY	
	45-164300051020	SPEAKER CABLE - WHITE	
	45-164300151020	SPEAKER CABLE - RED	
	51-021301000050	LITHIUM BATTERY CR2032	
	45-244300059020	9 PIN S TERMINAL CABLE	
	02-17DX01500000	REMOTE CONTROL (CD-X8)	
	02-17DX01500001	REMOTE CONTROL (MC-DX20)	

CD-X8/MC-DX20

TEAC

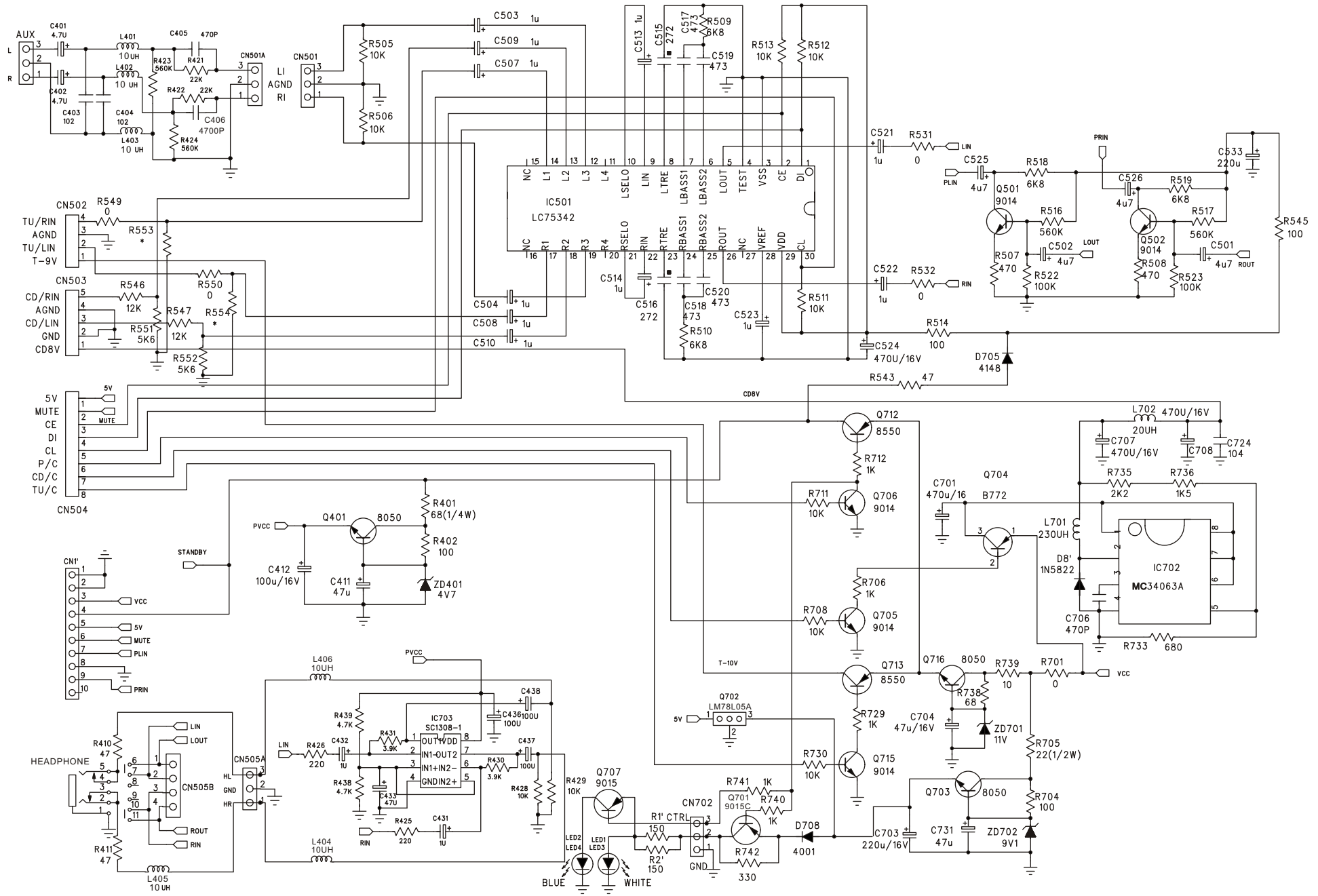
TEAC CORPORATION	3-7-3 Nakacho, Musashino-shi, Tokyo 180-8550, Japan Phone:(0422)52-5081
TEAC AMERICA, INC.	7733 Telegraph Road, Montebello, California 90640 Phone: (323)726-0303
TEAC CANADA LTD.	5939 Wallace Street, Mississauga, Ontario L4Z 1Z8, Canada Phone: (905)-890-8008
TEAC MEXICO, S.A.De C.V.	Campesinos 184,Col. Granjas Esmeralda, 09810, Mexico Phone: (525)-581-5500
TEAC UK LIMITED	5 Marlin House, Croxley Business Park, Watford, Hertfordshire, WD18 8TE, U.K. Phone: 01923-819699
TEAC DEUTSCHLAND GmbH	Bahnstrasse 12, 65205 Wiesbaden-Erbenheim, Germany Phone:0611-71580
TEAC FRANCE S.A.	17, Rue Alexis-de-Tocqueville, CE 005 92182 Antony Cedex, France Phone:(1)42.37.01.02
TEAC NEDERLAND BV	Oeverkruid 15,NL-4941 W Raamsdonksveer, Nederland Phone:0162-510210
TEAC BELGIUM NV/SA.	c/o TEAC NEDERLAND BV, Oeverkruid 15, NL-4941 W Raamsdonksveer, Nederland Phone:+31-162-510860
TEAC ITALIANA S.p.A.	Via C, Cantu 11, 20092 Cinisello Balsamo, Milano, Italy Phone:02-66010550
TEAC AUSTRALIA PTY., LTD.	280 William Street, Melbourne VIC 3000, Australia Phone:(03)9672-2400
A.B.N.	80 005 408 462

MAIN(TUNER) PCB - 1



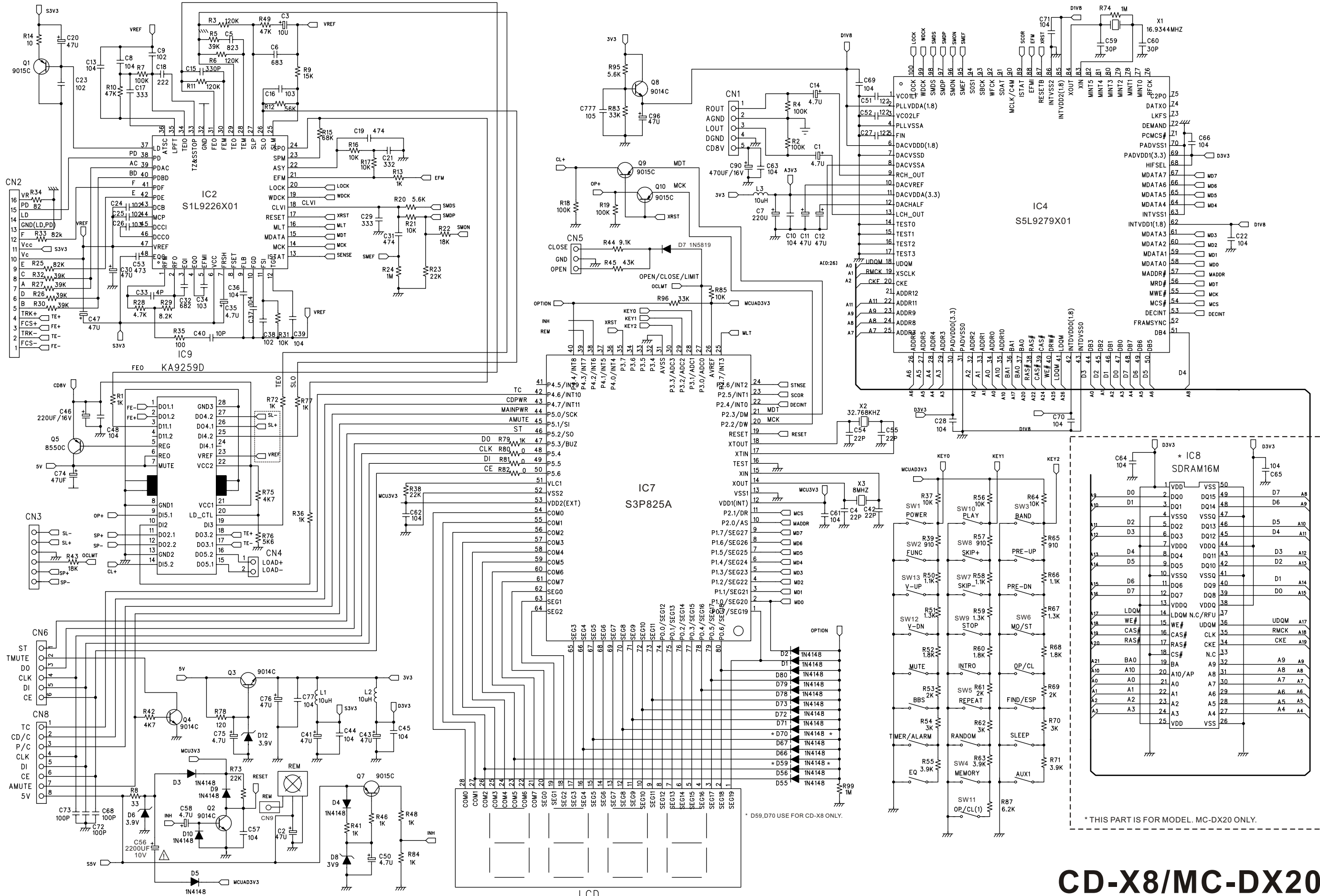
CD-X8/MC-DX20
MICRO HI-FI SYSTEM

MAIN(TUNER) PCB - 2



CD-X8/MC-DX20
MICRO HI-FI SYSTEM

CD(MP3) PCB

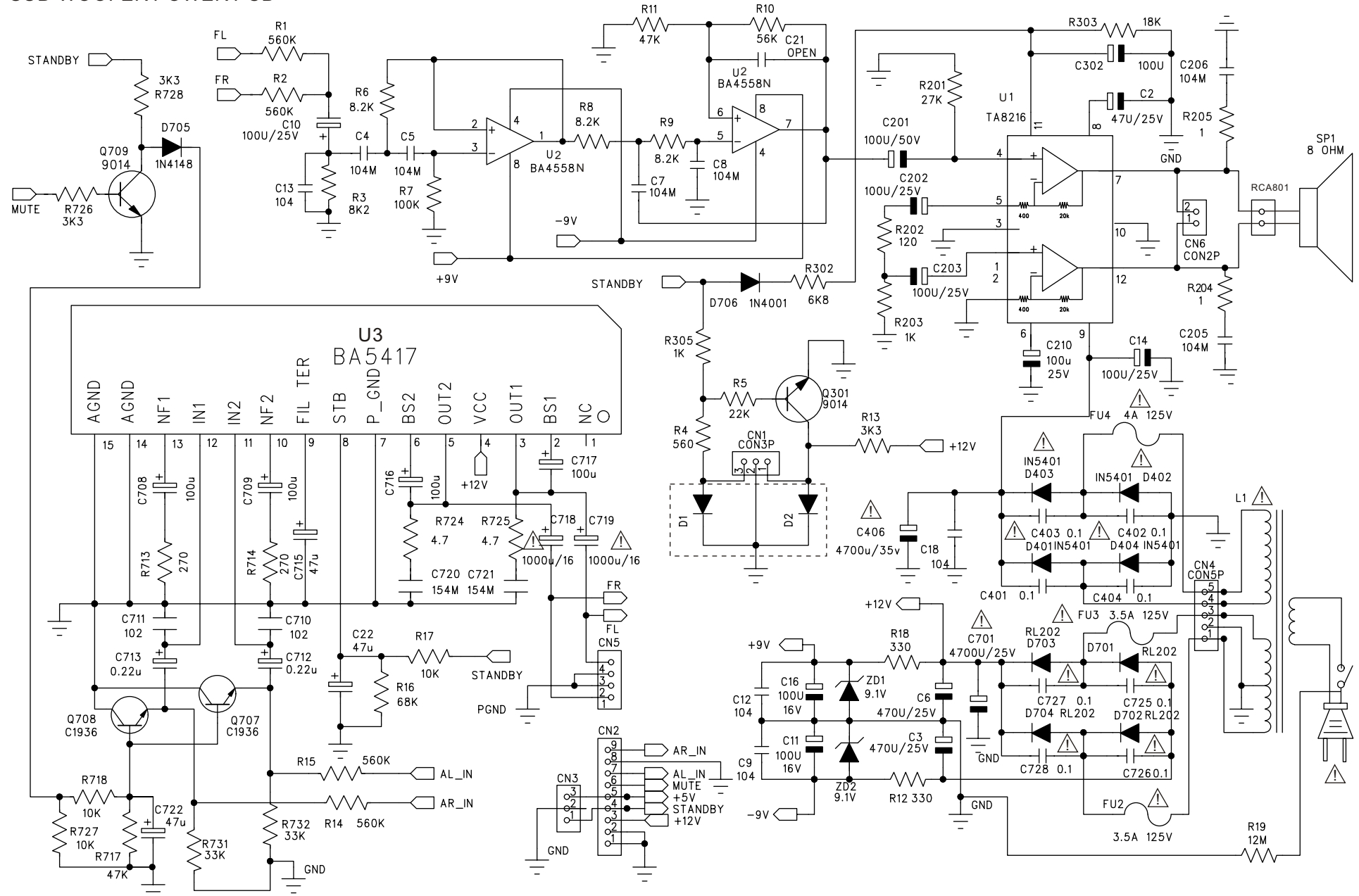


CD-X8/MC-DX20
MICRO HI-FI SYSTEM

* THIS PART IS FOR MODEL MC-DX20 ONLY.

* D59,D70 USE FOR CD-X8 ONLY.

SUB-WOOFER POWER PCB



CD-X8/MC-DX20
MICRO HI-FI SYSTEM